

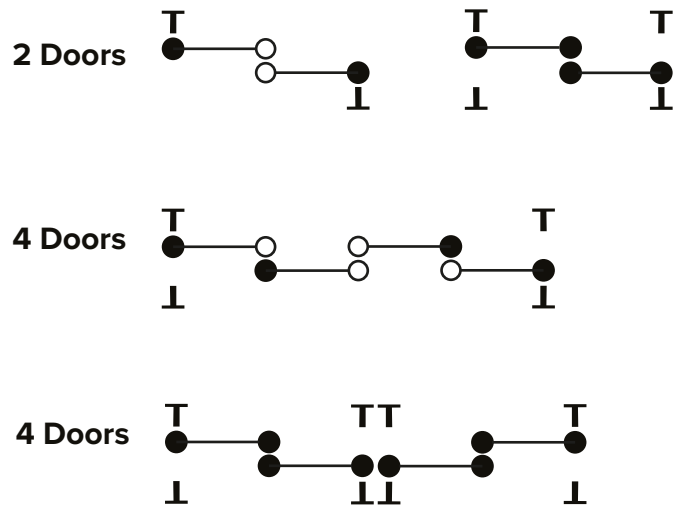
# SOFT-CLOSER INSTALLATION MANUAL

## SOFT-CLOSER INFORMATION

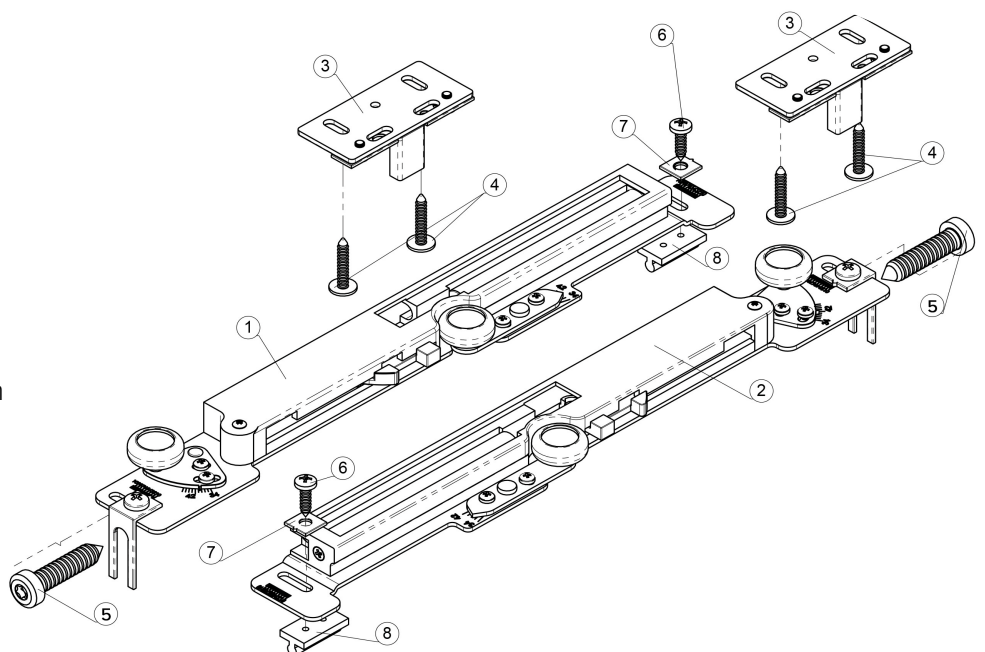
If you ordered soft-closers then your doors will arrive with soft-closers already installed inside the top rail of the door. What is left for you to do is to position the reciprocal bracket (3) to the preferred position inside the top track with screws (4).

The reciprocal bracket (3) can be installed into any part of the top track. This is particularly convenient when building a wardrobe with doors that are equipped with a complete set of soft-closers. In this case, each sliding door will be soft-closing and stopping smoothly on left and right side of the wardrobe.

Here are a few options on where to place the soft closer (●), and a reciprocal bracket (⊥).



1. Left soft-closer
2. Right soft-closer
3. Reciprocal bracket
4. Self-tapping screw 3.5 x 20 mm
5. Self-tapping screw 6.5 x 32 mm
6. Self-tapping screw 3.0 x 9.5 mm
7. Washer with a pointer
8. Locating bracket



### IMPORTANT:

Soft-closers work best with doors that weight 15 – 45kg.

# SOFT-CLOSER INSTALLATION

As mentioned before, your doors will come with soft-closers already installed. However, below you will find information on how to install the reciprocal bracket and the soft-closer in full.

1. Mark reciprocal bracket's (**3**) position inside the top track using SIZE A from the table on the right hand side. Drill 5 mm diam. holes (**e1**) and (**e2**) as shown.
2. Fasten the top track into position at the top of the wardrobe.
3. Fix the reciprocal bracket (**3**) to the ceiling or top of the wardrobe with screws (**4**).
4. Drive the locating bracket (**8**) into a groove inside the upper rail of the door using a hammer and a screwdriver.
5. Remove the screw (**5**) from the door.
6. Install the soft-closer so that it lays flat on the upper rail and the guide bracket (**D**) is fully inserted into the fixing slot inside the vertical profile.
7. Insert and tighten screw (**5**) back into position.
8. Fix the rear side of the soft-closer into the locating bracket (**8**) using screw (**6**) and washer with a pointer (**7**) through a hole inside the plate (**B2**) as shown with the pointer facing the calibration scale. The washer should be set to position "0" if the door has a symmetrical profile, or position "9" if the profile is asymmetrical.
9. Loosen the screw (**B1**) and set the pointer on the guide bracket (**D**) in relation to the calibration scale as described in the previous step. Tighten the screw (**B1**).
10. Loosen the screws (**F1**) and set wheel brackets so that the pointer is set to "37.5" value on the calibration scales (**C1**) and (**C2**). Tighten back the screws (**F1**).
11. Push the trigger bolt (**P**) to the left until its triangular hook locks inside the soft-closer.
12. Install the door into the top and bottom tracks and push it towards the reciprocal bracket (**3**). As soon as the trigger bolt (**P**) hits the reciprocal bracket (**3**) the dampening mechanism will spring into action and bring the door to a smooth stop.

**NOTE**

The oval holes in the reciprocal bracket (**3**) allow you to accurately set up the soft-closing mechanism. Just loosen the screws and move the reciprocal bracket (**3**) left, right, forward or backwards.

VERTICAL PROFILE	TYPE	SIZE A
Palermo	Symetrical	125 mm
Supreme	Symetrical	120 mm
Prestige	Asymetrical	120 mm
Shaker	Symetrical	120 mm

