

OPENING MEASURING GUIDE

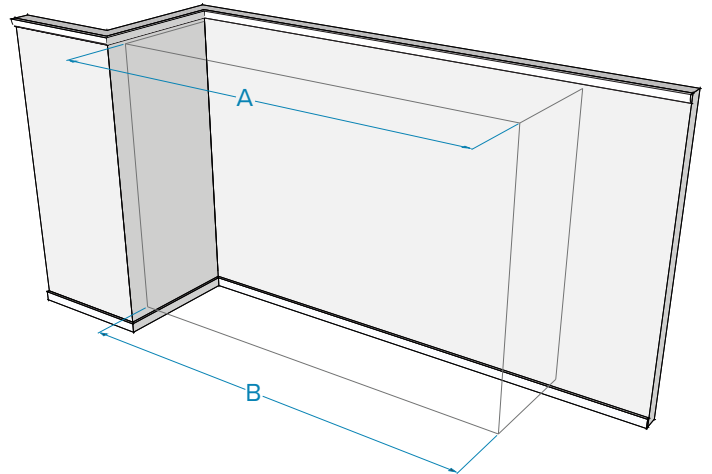
STRAIGHT CEILINGS

1. WIDTH

Measure from wall to wall or inner side of an end the panel in two locations shown. Use the smaller measurement. If your walls are very uneven, we recommend using wall liners. This will allow you to square up the space and provide straight vertical surface for the doors to close to.

Maximum opening width is capped at 5500 mm.

NOTE	when using wall liners, measure between the inner faces of the liners as you are measuring the remaining available space to accommodate the doors.
-------------	--

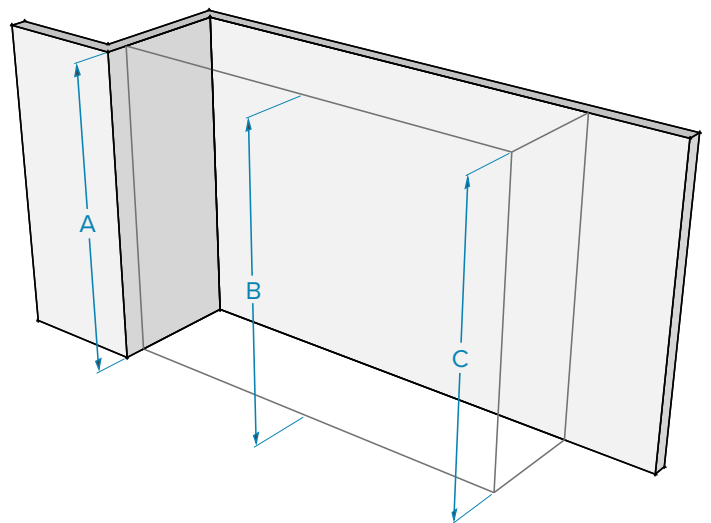


2. HEIGHT

Measure from floor to ceiling or top of your wardrobe in three locations as shown. Use the smaller measurement. The top track can accommodate up to 15 mm difference. Use a floor liner if the bottom surface is uneven or not level.

Maximum opening height is capped at 2540 mm. Contact us directly for opening heights above this size.

NOTE	when using floor liner, measure from the inner face of the liner as you are measuring the remaining available space to accommodate the doors.
-------------	---



IMPORTANT:

You are measuring opening size—not the door size.

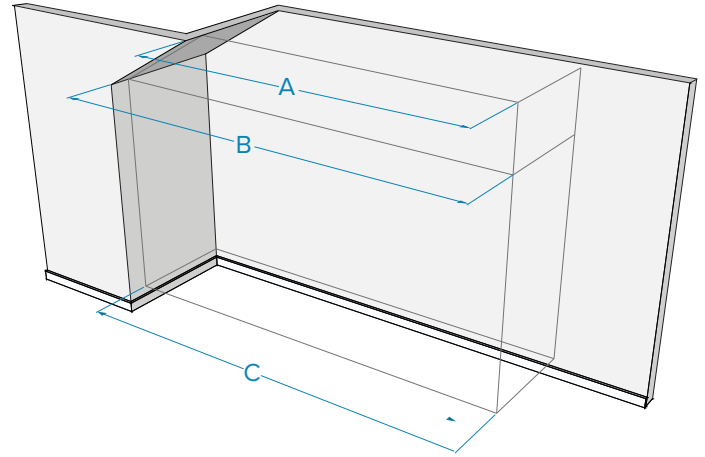
ANGLED CEILINGS

1. WIDTH

Measure from wall to wall or inner side of an end panel in three locations shown. Here A is the width at the ceiling. B and C may vary and you should use the smaller measurement. If your walls are very uneven, we recommend using wall liners. This will allow you to square up the space and provide straight vertical surface for the doors to close to.

Maximum opening width is capped at 5500 mm.

NOTE	when using wall liners, measure between the inner faces of the liners as you are measuring the remaining available space to accommodate the doors.
-------------	--

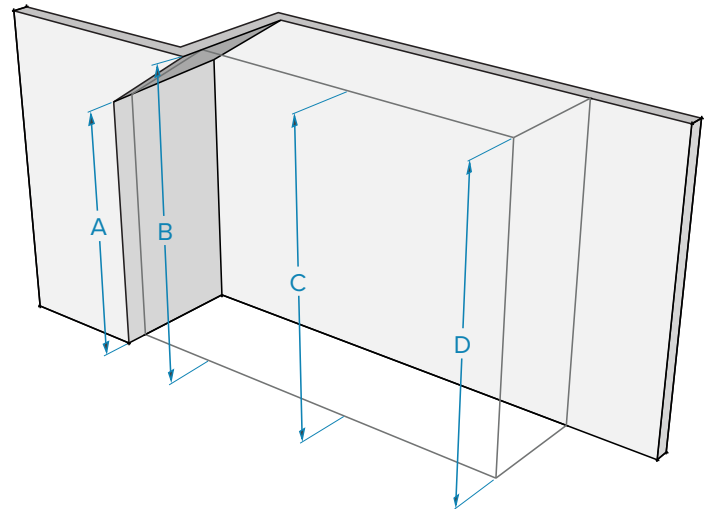


2. HEIGHT

Measure from floor to ceiling or top of your wardrobe in three locations as shown. Use the smaller measurement. The top track can accommodate up to 15 mm difference. Use a floor liner if the bottom surface is uneven or not level.

Maximum opening height is capped at 2540 mm. Contact us directly for opening heights above this size.

NOTE	when using floor liner, measure from the inner face of the liner as you are measuring the remaining available space to accommodate the doors.
-------------	---



IMPORTANT:

You are measuring opening size—not the door size.